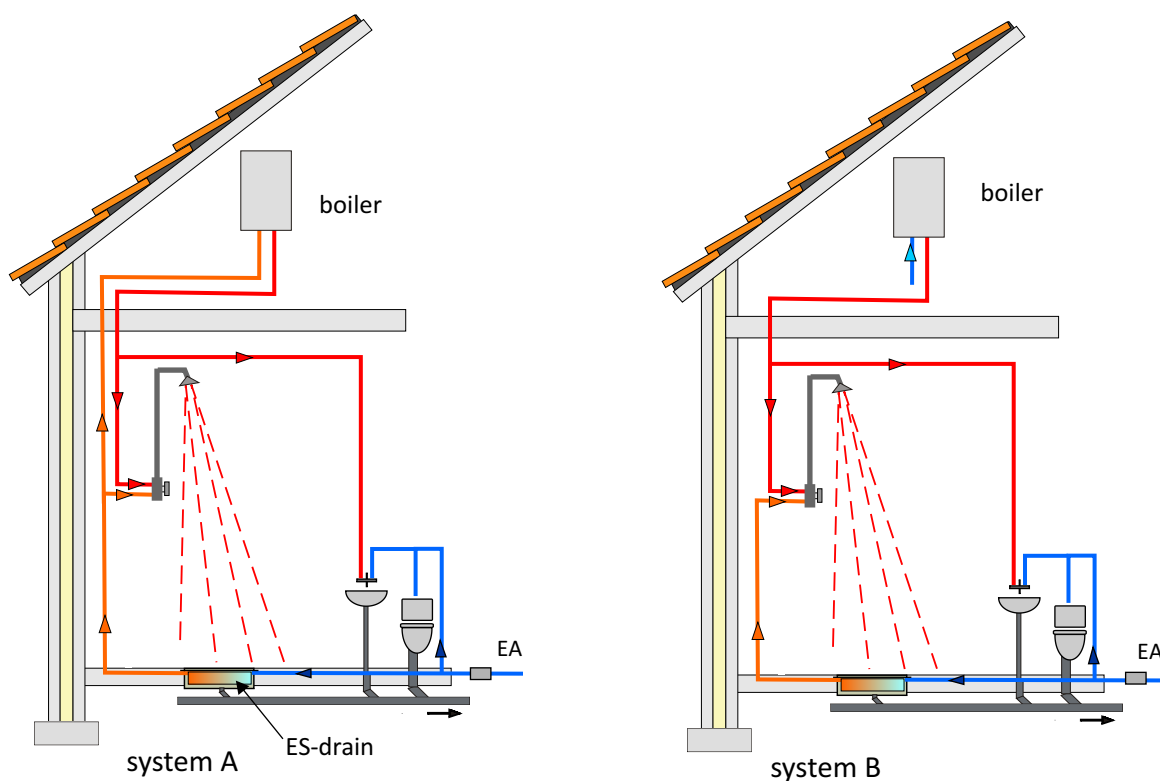


Installation manual ES-DRAIN-VINYL

Linear shower drain with heat recovery.

- The ES-drain-V is a stainless steel linear drain for mounting in a vinyl floor with an integrated heatexchnager and a siphon.
- The grate is easy to remove, making the siphon accessible.
- There is a double separation between waste water and tap water.



System A: Both, cold water to the boiler and to the thermostatic mixing valve are preheated.

System B: Only the cold water to the mixing valve is preheated. The disadvantage of system B is a little lower efficiency.



The starting point is that the drain will be installed by a certified, professional installer.

Therefore only those instructions are given which are special for the ES-drain.

A controllable non-return valve (type EA) must be installed in the supply line, as close as possible to the drain. See EA in the diagram.

In order to reach immediately the desired temperature of the shower water, a thermostatic mixing valve is required.

It is advised to connect the drain electrically to earth.

The shower channel has a horizontal stainless steel flange of 30 mm wide. A watertight foil can be applied to this by means of adhesives. In order to achieve a good watertight finish, we recommend placing the shower drain at least 5-10 cm from the wall. This also allows the space between drain and wall to be well supplemented with mortar.

The drain must be installed level in the floor with aid of the adjustable feet. The drain must be properly filled at the bottom so that it can withstand someone standing on the drain.

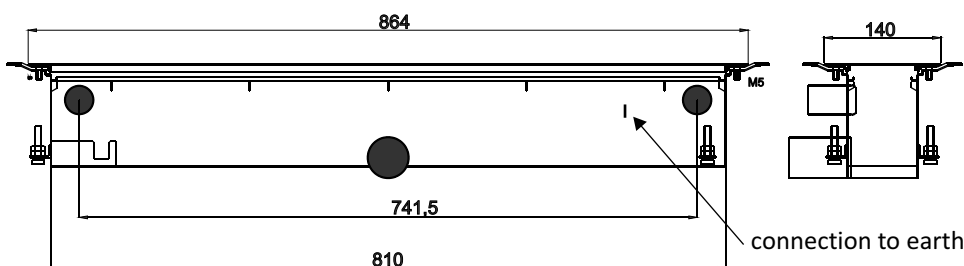
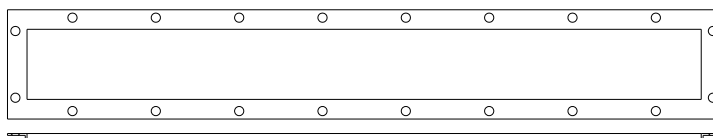
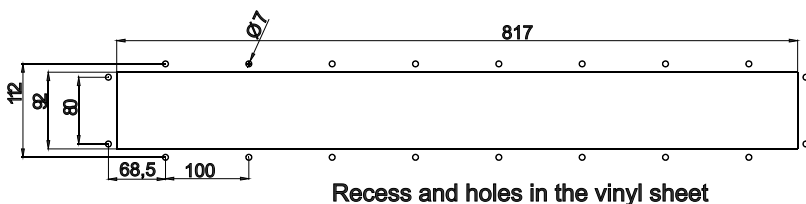
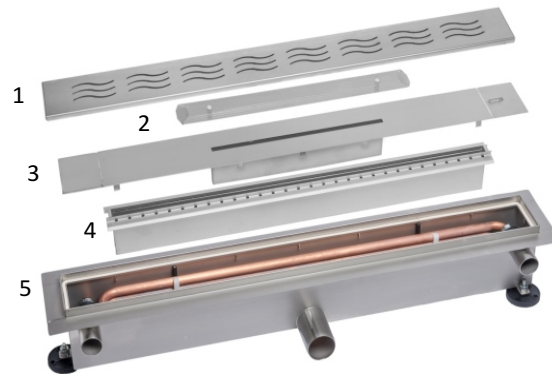
It is recommended that the fresh water pipes in the concrete are placed in a jacket pipe, see drawing last page.

A number of parts can be removed without tools for maintenance and inspection.

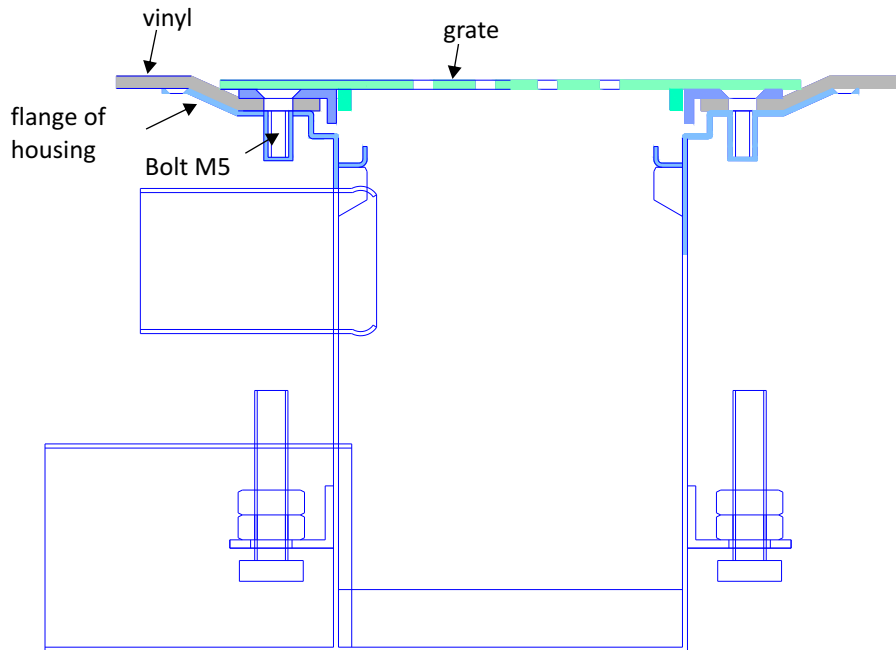
The grid (1) can be removed with the supplied hook. The hair catcher (2) can then be removed by hand and cleaned if necessary.

The built-in siphon consists of the siphon plate parts (3) and the distributor (4). The distributor is narrower at one end than at the other end. Pay attention to this when replacing the distributor.

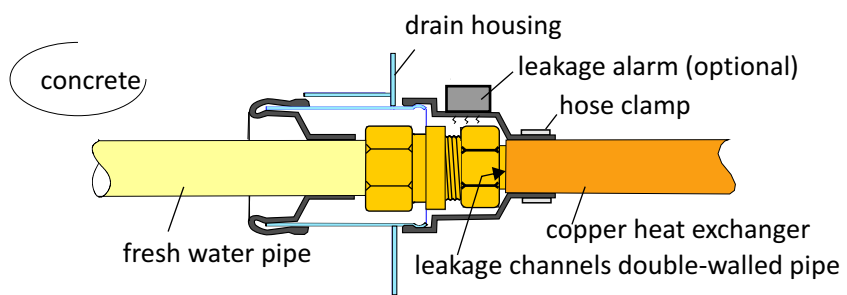
To get a good seal against sewer smell, the siphon plate (3) is clamped on the O-ring seal with springs. It takes some strength to pull it off with the supplied hook. When the distributor (4) is subsequently removed, the copper heat exchanger is fully visible (5).



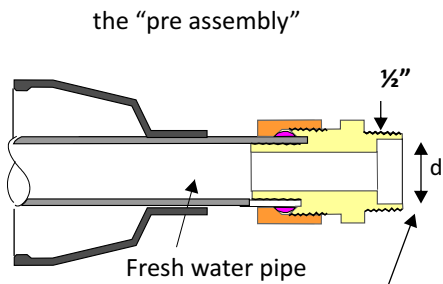
Interface with vinyl sheet



Fresh water connections with a leakage alarm (optional)



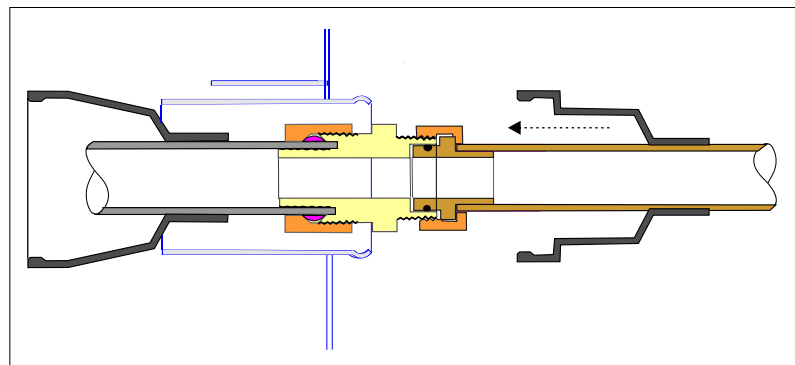
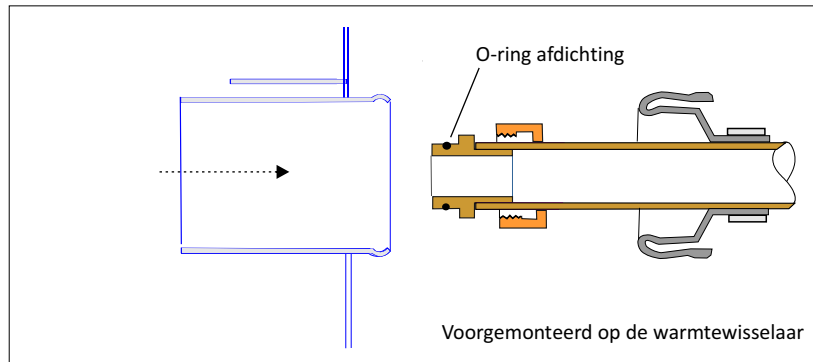
Connection of the water pipes



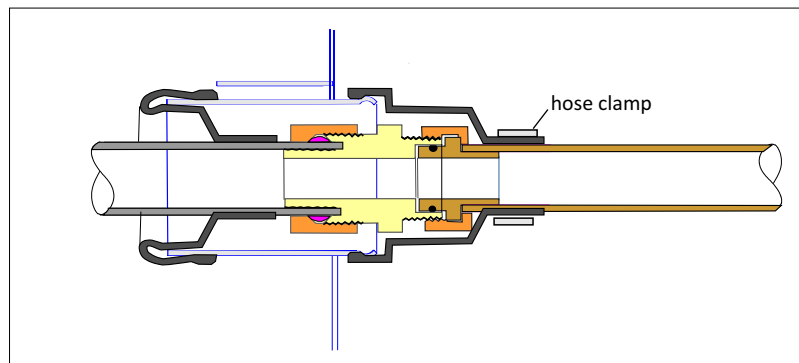
The bore d of the chosen coupling must be between $\varnothing 14.9$ and $\varnothing 15.2$ in order to obtain a good seal with the O-ring. This is generally the case with compression fittings or press fitting 15 or 16 mm.

Pipes and couplings are not supplied by Herwin-Energie.

Slide the "pre-assembly" into place over the O-ring and tighten the swivel. The "pre-assembly" must be stopped with a wrench or with pliers.



Slide the rubber sleeve over the passage of the housing and secure it with the hose clamp. Then slide the clamping ring over the rubber.

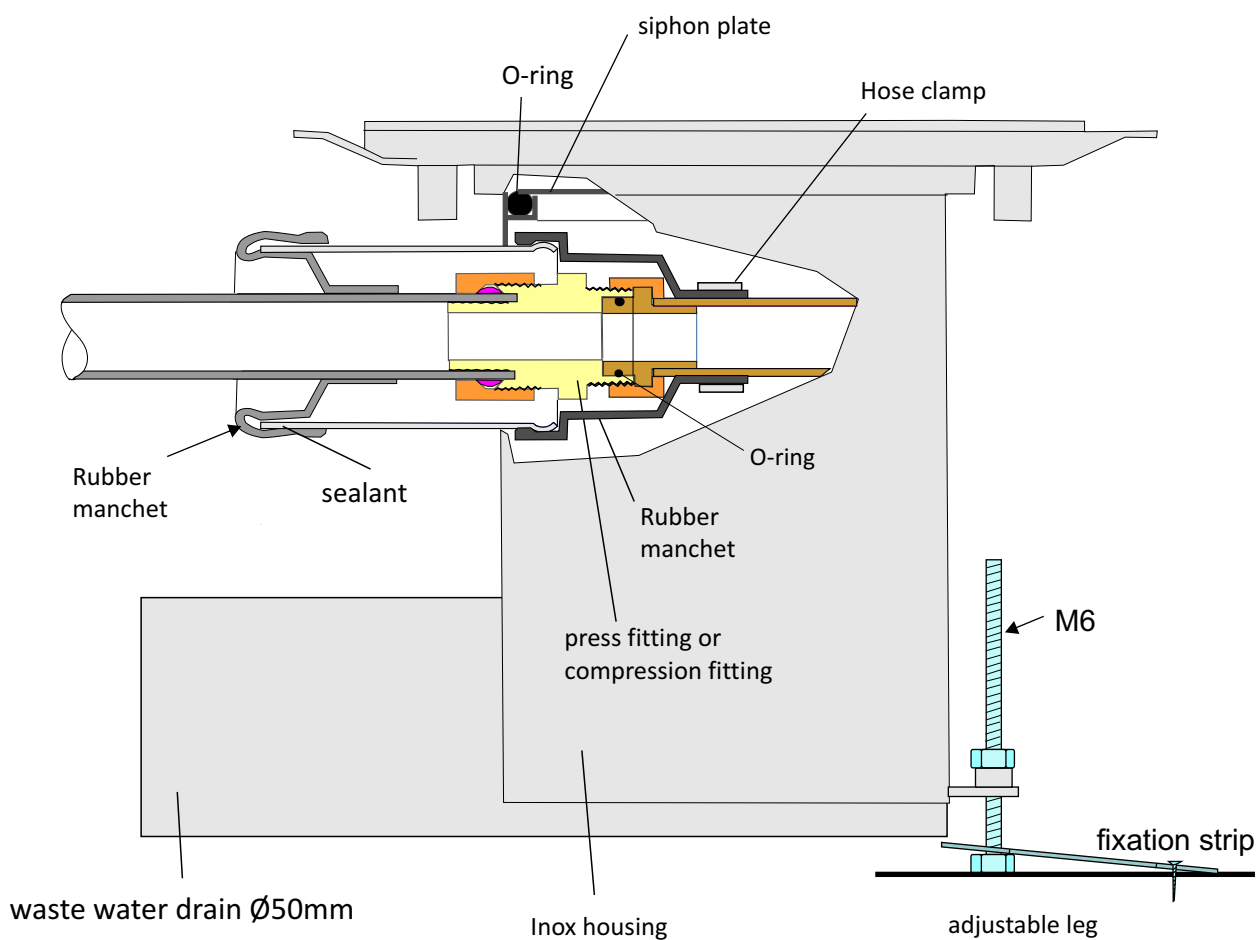


Check again whether the drain is level in all directions.

Secure the leveling feet to the surface by screwing on and/or fix the drain by means of mortar. Add mortar to the bottom of the drain and up to the flange.

Check again whether the gutter is level in all directions.

Clean the flange grease-free and let it dry, and make the mortar dust-free. Glue the waterproof foil on the flange and the floor. This creates a watertight connection between the shower and the floor.



Example of water connections.

Certificaten en normen:

KIWA efficiency declaration
 Passive House certificate
 Databank, gecontroleerde kwaliteitsverklaringen,
 Bureau CRG.
 CSTB, Frankrijk
 Designed according the standards:
 - NEN1717, veiligheid van drinkwater en
 - EN1253 betreffende afvoerputten.

Inbegrepen:

ES-drain with hook
 Installation instrution
 Users manual

Not included:

Check valve type EA
 Waterproof foil